



Bourdon Tube Pressure Gauges

Solid-Front Turret Style Test Gauge

Stainless Steel Wetted Parts and Thermoplastic Case

Accuracy $\pm 0.25\%$ of Span
Test Series • Type 332.34

Pressure Gauges

Application

Industrial type suitable for corrosive environments where the fluid medium does not clog connection or corrode wetted part material. Solid front, blow-out back case design meets safety requirements of ASME B40.1.

Size

4½" (115 mm) dial size

Accuracy

$\pm 0.25\%$ of span (ASME B40.1 Grade 3A)

Ranges 0/30" Hg Vac through 0/600 psi
0.25% of span (ASME B40.1 Grade 3A)

Ranges 0/2000 psi through 0/20,000 psi
0.25% of span (ASME B40.1 Grade 3A)

Note: Not available in ranges 600>2000psi

Ranges

Vacuum 30" Hg

Pressure from 15 PSI to 20,000 PSI (all ranges not available) or other equivalent units of pressure or vacuum

Working Range

Steady: 3/4 of full scale value

Fluctuating: 2/3 of full scale value

Short time: full scale value

Operating Temperature

Ambient: -40°F to 140°F (-40°C to 60°C)

Media: max. 212°F (+100°C)

Temperature Error

Additional error when temperature changes from reference temperature of 68°F (20°C) $\pm 0.4\%$ for every 18°F (10°C) rising or falling. Percentage of span.

Standard Features

Connection

Material: 316 stainless steel

Lower mount (LM)

1/4" NPT or 1/2" NPT limited to wrench flat area with M4 internal tap

Bourdon Tube

Material: 316 stainless steel

30" Hg (Vac) to 600 PSI C-type

2000 to 20,000 PSI helical type

Movement

Stainless steel

Internal stop pin at 1.3 times full scale value

Dial

White aluminum with black lettering and mirrored band

Pointer

Black aluminum, micrometer adjustable, with knife edge

Case

Black glass reinforced thermoplastic (PBTP)

Solid front, blow-out back

Turret style case with built in rear flange lugs



Weather Protection

Weather resistant (NEMA 3 / IP 54) - dry case

Standard Scale

PSI

Window Gasket

Buna-N

Window

Acrylic

Order Options (min. order may apply)

Threaded restrictor

Cleaned for oxygen service

Glass window

Safety glass window

Special connections limited to wrench flat area

DIN standards

Custom dial layout

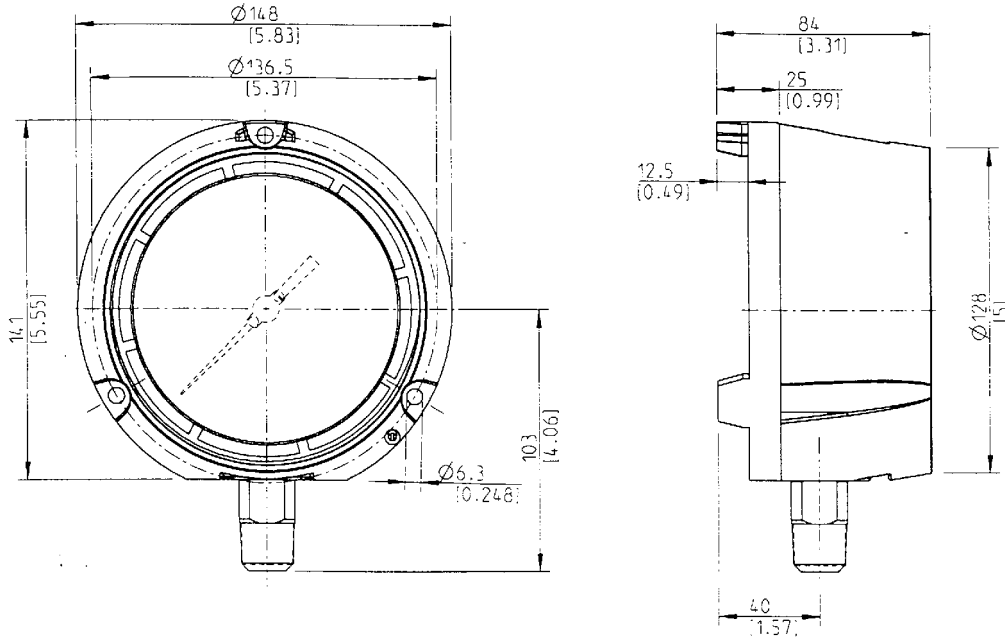
Other pressure scales available:

Bar, kPa, Kg/cm², and dual scales

Red marker pointer

APM 332.34
(APM 03.12)

Dimensions:



THE MEASURE OF
Total Performance™

Ordering Information:

State computer part number (if available) / type number / size / range / connection size and location / options required.

Specifications given in this price list represent the state of engineering at the time of printing. Modifications may take place and the specified materials may change without prior notice

05/02



WIKAI Instrument Corporation
1000 Wiegand Boulevard
Lawrenceville, Georgia 30043-5868
Tel: 770-513-8200 Fax: 770-338-5118
<http://www.wika.com> e-mail: info@wika.com